



ICC-ES Listing Report ESL-1542

Reissued March 2026

This listing is subject to renewal March 2027.

CSI: DIVISION: 07 00 00—THERMAL AND MOISTURE PROTECTION
Section: 07 84 00—Firestopping
Section: 07 84 13.16—Penetration Firestopping

Product Certification System:

The ICC-ES product-certification system includes evaluated evidence in support of test data in accordance with the standard(s) listed below. The system also involves factory inspections, and assessment and surveillance of the listee's quality system.

Product: E-Z FLAME FIGHTER FIRE CAULK

Listee: E-Z TAPE

Additional

Listee: E-Z TAPE

Product Name: JACO FIRESTOP CAULK

Evaluation: E-Z Flame Fighter Fire Caulk and JACO Firestop Caulk are commercial quality sealants for penetrations and voids. E-Z Flame Fighter Fire Caulk and JACO Firestop Caulk have demonstrated compliance with the following standards:

- ASTM E814-13a (Reapproved 2017), Standard Test Method for Fire Tests of Penetration Firestop Systems, ASTM International.
- CAN/ULC-S115-18, Standard Method of Fire Tests of Firestop Systems, ULC Standards.

Findings: Evaluation of E-Z Flame Fighter Fire Caulk and JACO Firestop Caulk, as components of the assembly, is based on testing in accordance with the applicable test method(s) as referenced in each ICC Design No. described below and as referenced in the applicable sections of the following code editions. Approval of the product's use is the sole responsibility of the local code (building) official.

- 2024 *International Building Code*® (IBC)
Applicable Section: 714.4.1.2
- 2024 *International Residential Code*® (IRC)
Applicable Section: R302.4.1.2
- *National Building Code of Canada*® 2020
Applicable Section: Volume 1-Division B: Section 3.1.9

Identification:

1. The ICC-ES mark of conformity, electronic labeling, or the listing report number (ICC-ES ESL-1542) and when applicable the ICC-ES listing mark, along with the name, registered trademark, or registered logo of the listee must be included in the product label.
2. In addition, the E-Z Flame Fighter Fire Caulk and JACO Firestop Caulk described in this listing report must be identified by a label bearing the manufacturer's name (E-Z Tape), and the product type (E-Z Flame Fighter Fire Caulk or JACO Firestop Caulk).
3. The report holder's contact information is the following:

E-Z TAPE
POST OFFICE BOX 10887
GREEN BAY, WISCONSIN 54307
(920) 632-6745
www.e-ztape.com

Listings are not to be construed as representing aesthetics or any other attributes not specifically addressed, nor are they to be construed as an endorsement of the subject of the listing or a recommendation for its use. There is no warranty by ICC Evaluation Service, LLC, express or implied, as to any finding or other matter in this listing, or as to any product covered by the listing.

Installation: The products must be installed in accordance with the manufacturer's published installation instructions and applicable codes.

Conditions of Listing:

1. The listing addresses only conformance with the standards and code sections noted above.
2. Approval of the product's use is the sole responsibility of the local code official.
3. The listing applies only to the materials tested and as submitted for review by ICC-ES.
4. E-Z Flame Fighter Fire Caulk and JACO Firestop Caulk are manufactured under a quality control program with inspections by ICC-ES.

Applicant: E-Z Tape
Product: E-Z Flame Fighter Fire Caulk
Additional Listee: E-Z Tape
Product Name: JACO Firestop Caulk
Standard: ASTM E814 / CAN/ULC-S115
Rating: See TMP-1542-01 Tables 1 and 2
Pressure Differential: Positive, 0.01 inch of water (2.49 Pa)

TMP = Thermal and Moisture Protection

TABLE 1 – 1-HOUR RATED WALL ASSEMBLY

	ASTM E814	CAN/ULC-S115
F-Rating	1-hr	1-hr
T-Rating	1/2-hr	NA
FT-Rating	NA	1/2-hr
FH-Rating	NA	1-hr
FTH-Rating	NA	1/2-hr

TABLE 2 – 2-HOUR RATED WALL ASSEMBLY

	ASTM E814	CAN/ULC-S115
F-Rating	2-hr	2-hr
T-Rating	1 1/2-hr	NA
FT-Rating	NA	1 1/2-hr
FH-Rating	NA	2-hr
FTH-Rating	NA	1 1/2-hr

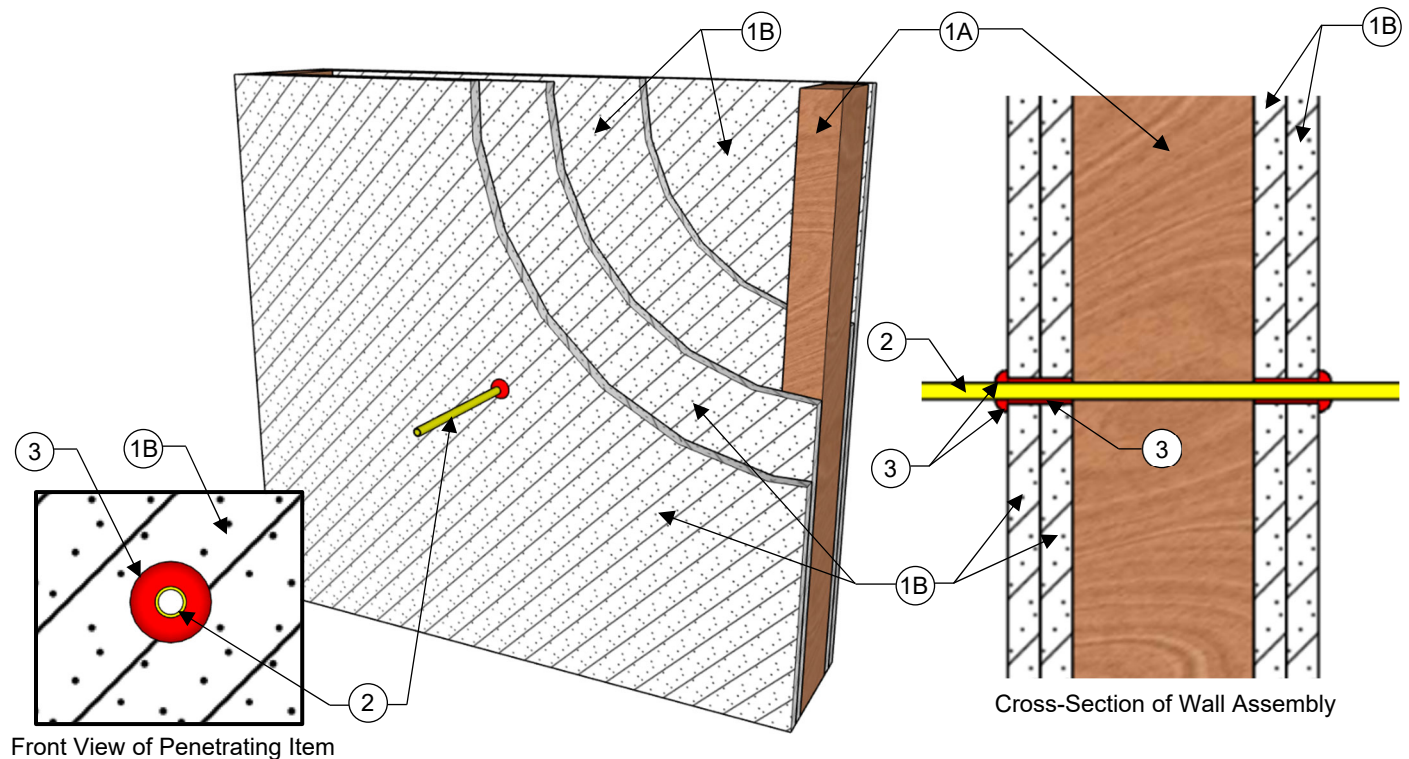


FIGURE 1 – DESIGN NO. TMP-1542-01

Listings are not to be construed as representing aesthetics or any other attributes not specifically addressed, nor are they to be construed as an endorsement of the subject of the listing or a recommendation for its use. There is no warranty by ICC Evaluation Service, LLC, express or implied, as to any finding or other matter in this listing, or as to any product covered by the listing.

TABLE 3 – DESIGN NO. TMP-1542-01 COMPONENTS OF CONSTRUCTION

ITEM NO.	COMPONENTS	MATERIALS
1	<p>Wall Assembly—</p> <p>Use A and B</p>	<p>The 1- or 2-hr fire-resistance rated wall assembly must incorporate construction features A and B. Construction feature B will depend on the fire-resistance rating of the wall assembly.</p> <p>A — Wall Framing – Either nominal 2-inch by 4-inch (50.8 mm by 101.6 mm) wood studs or nominal 3 1/2-inch (88.9 mm) deep, minimum No. 20 gage [0.036-inch (0.91 mm)], corrosion-protected or galvanized steel channel-shaped studs, spaced maximum 24-inches (609.6 mm) on center. Steel studs must have minimum 1 5/8-inch (41.3 mm) flanges and 1/2-inch (12.7 mm) return.</p> <p>B — Wall Sheathing – For a 2-hr fire-resistance rated wall assembly, two (2) layers of 5/8-inch (15.9 mm) thick Type X gypsum wallboard, complying with ASTM C1396, must be installed on each side of the wall framing. For a 1-hr fire-resistance rated wall assembly, one (1) layer of 5/8-inch (15.9 mm) thick Type X gypsum wallboard, complying with ASTM C1396, must be installed on each side of the wall framing.</p> <p>Maximum diameter of through-opening is 1/2-inch (12.7 mm).</p>
2	<p>Penetrating Item (Cable)—</p>	<p>A 1/4-inch (6.4 mm) is required within the firestop system.</p>
3	<p>Fill, Void or Cavity Material (Sealant)—</p> <p>Use either A or B</p>	<p>A — E-Z Flame Fighter Fire Caulk – For a 2-hr fire-resistance rated wall assembly, minimum 1 1/4-inch (31.8 mm) thick of E-Z Flame Fighter Fire Caulk must be applied within the annulus, flush with both surfaces of the wall assembly. Additional E-Z Flame Fighter Fire Caulk must be applied such that a minimum 1/2-inch (12.7 mm) crown is formed around the penetrating item. For a 1-hr fire-resistance rated wall assembly, minimum 5/8-inch (15.9 mm) thick of E-Z Flame Fighter Fire Caulk must be applied within the annulus, flush with both surfaces of the wall assembly. Additional E-Z Flame Fighter Fire Caulk must be applied such that a minimum 1-inch (25.4 mm) crown is formed around the penetrating item.</p> <p>B — JACO Firestop Caulk – For a 2-hr fire-resistance rated wall assembly, minimum 1 1/4-inch (31.8 mm) thick of JACO Firestop Caulk must be applied within the annulus, flush with both surfaces of the wall assembly. Additional JACO Firestop Caulk must be applied such that a minimum 1/2-inch (12.7 mm) crown is formed around the penetrating item. For a 1-hr fire-resistance rated wall assembly, minimum 5/8-inch (15.9 mm) thick of JACO Firestop Caulk must be applied within the annulus, flush with both surfaces of the wall assembly. Additional JACO Firestop Caulk must be applied such that a minimum 1-inch (25.4 mm) crown is formed around the penetrating item.</p>

For SI: 1 inch = 25.4 mm, 1 foot = 304.8 mm, 1 lbs./ft³ = 16.01 kg/m³.

Applicant: E-Z Tape
Product: E-Z Flame Fighter Fire Caulk
Additional Listee: E-Z Tape
Product Name: JACO Firestop Caulk
Standard: ASTM E814 / CAN/ULC-S115
Rating: See TMP-1542-02 Tables 1 and 2
Pressure Differential: Positive, 0.01 inch of water (2.49 Pa)

TMP = Thermal and Moisture Protection

TABLE 1 – 1-HOUR RATED WALL ASSEMBLY

	ASTM E814	CAN/ULC-S115
F-Rating	1-hr	1-hr
T-Rating	0-hr	NA
FT-Rating	NA	0-hr
FH-Rating	NA	1-hr
FTH-Rating	NA	0-hr

TABLE 2 – 2-HOUR RATED WALL ASSEMBLY

	ASTM E814	CAN/ULC-S115
F-Rating	2-hr	2-hr
T-Rating	1/2-hr	NA
FT-Rating	NA	1/2-hr
FH-Rating	NA	2-hr
FTH-Rating	NA	1/2-hr

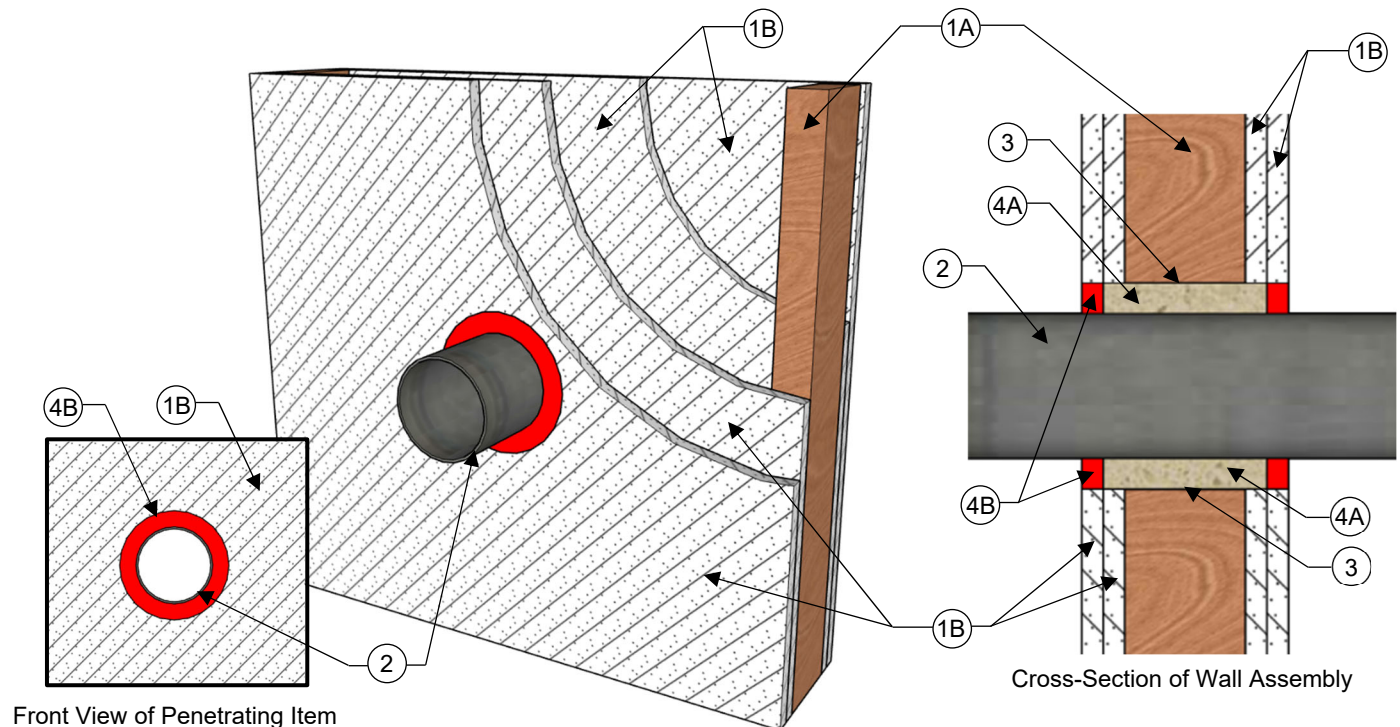


FIGURE 1 – DESIGN NO. TMP-1542-02

Listings are not to be construed as representing aesthetics or any other attributes not specifically addressed, nor are they to be construed as an endorsement of the subject of the listing or a recommendation for its use. There is no warranty by ICC Evaluation Service, LLC, express or implied, as to any finding or other matter in this listing, or as to any product covered by the listing.

TABLE 3 – DESIGN NO. TMP-1542-02 COMPONENTS OF CONSTRUCTION

ITEM NO.	COMPONENTS	MATERIALS
1	<p>Wall Assembly—</p> <p>Use A and B</p>	<p>The 1- or 2-hr fire-resistance rated wall assembly must incorporate construction features A and B. Construction feature B will depend on the fire-resistance rating of the wall assembly.</p> <p>A — Wall Framing – Either nominal 2-inch by 4-inch (50.8 mm by 101.6 mm) wood studs or nominal 3¹/₂-inch (88.9 mm) deep, minimum No. 20 gage [0.036-inch (0.91 mm)], corrosion-protected or galvanized steel channel-shaped studs, spaced maximum 24-inches (609.6 mm) on center. Steel studs must have minimum 1⁵/₈-inch (41.3 mm) flanges and ½-inch (12.7 mm) return.</p> <p>B — Wall Sheathing – For a 2-hr fire-resistance rated wall assembly, two (2) layers of 5/8-inch (15.9 mm) thick Type X gypsum wallboard, complying with ASTM C1396, must be installed on each side of the wall framing. For a 1-hr fire-resistance rated wall assembly, one (1) layer of 5/8-inch (15.9 mm) thick Type X gypsum wallboard, complying with ASTM C1396, must be installed on each side of the wall framing.</p> <p>Maximum diameter of through-opening is 6-inch (152.4 mm).</p>
2	<p>Penetrating Item (Metallic Pipe, Conduit or Tubing)—</p> <p>Use A, B or C</p>	<p>A — Steel Pipe – Nominal 4-inch (101.6 mm) diameter (or smaller) Schedule 40 (or heavier) steel pipe. A nominal annular space of 3/4-inch (19.1 mm) is required within the firestop system.</p> <p>B — Iron Pipe – Nominal 4-inch (101.6 mm) diameter (or smaller) cast or ductile iron pipe. A nominal annular space of 3/4-inch (19.1 mm) is required within the firestop system.</p> <p>C — Tubing or Conduit – Nominal 4-inch (101.6 mm) diameter (or smaller) steel electrical metallic tubing or steel conduit. A nominal annular space of 3/4-inch (19.1 mm) is required within the firestop system.</p>
3	<p>Steel Wire Mesh—</p>	<p>The steel wire mesh sleeve must be centered and formed to fit the periphery of the through opening.</p>
4	<p>Firestop System—</p> <p>Use A and either B1 or B2</p>	<p>The firestop system must incorporate construction features A and B.</p> <p>A — Packing Material – Minimum 3¹/₂-inch (88.9 mm) thickness of minimum 4.0 lbs./ft³ (64 kg/m³) density mineral wool batt insulation must be firmly packed into the opening as a permanent form. The packing material must be recessed from both surfaces of the wall as required to accommodate the required thickness of fill material.</p> <p>The fill, void or cavity material (sealant) may be either B1 or B2.</p> <p>B1 — E-Z Flame Fighter Fire Caulk – minimum 3/4-inch (19.1 mm) thickness of E-Z Flame Fighter Fire Caulk must be applied within the annulus, flush with both surfaces of the wall assembly.</p> <p>B2 — JACO Firestop Caulk – minimum 3/4-inch (19.1 mm) thickness of JACO Firestop Caulk must be applied within the annulus, flush with both surfaces of the wall assembly.</p>

For SI: 1 inch = 25.4 mm, 1 foot = 304.8 mm, 1 lbs./ft³ = 16.01 kg/m³.

Applicant: E-Z Tape
Product: E-Z Flame Fighter Fire Caulk
Additional Listee: E-Z Tape
Product Name: JACO Firestop Caulk
Standard: ASTM E814 / CAN/ULC-S115
Rating: See TMP-1542-03 Tables 1 and 2
Pressure Differential: Positive, 0.01 inch of water (2.49 Pa)

TMP = Thermal and Moisture Protection

TABLE 1 – 1-HOUR RATED WALL ASSEMBLY

	ASTM E814	CAN/ULC-S115
F-Rating	1-hr	1-hr
T-Rating	3/4-hr	NA
FT-Rating	NA	3/4-hr
FH-Rating	NA	1-hr
FTH-Rating	NA	3/4-hr

TABLE 2 – 2-HOUR RATED WALL ASSEMBLY

	ASTM E814	CAN/ULC-S115
F-Rating	2-hr	2-hr
T-Rating	1 3/4-hr	NA
FT-Rating	NA	1 3/4-hr
FH-Rating	NA	2-hr
FTH-Rating	NA	1 3/4-hr

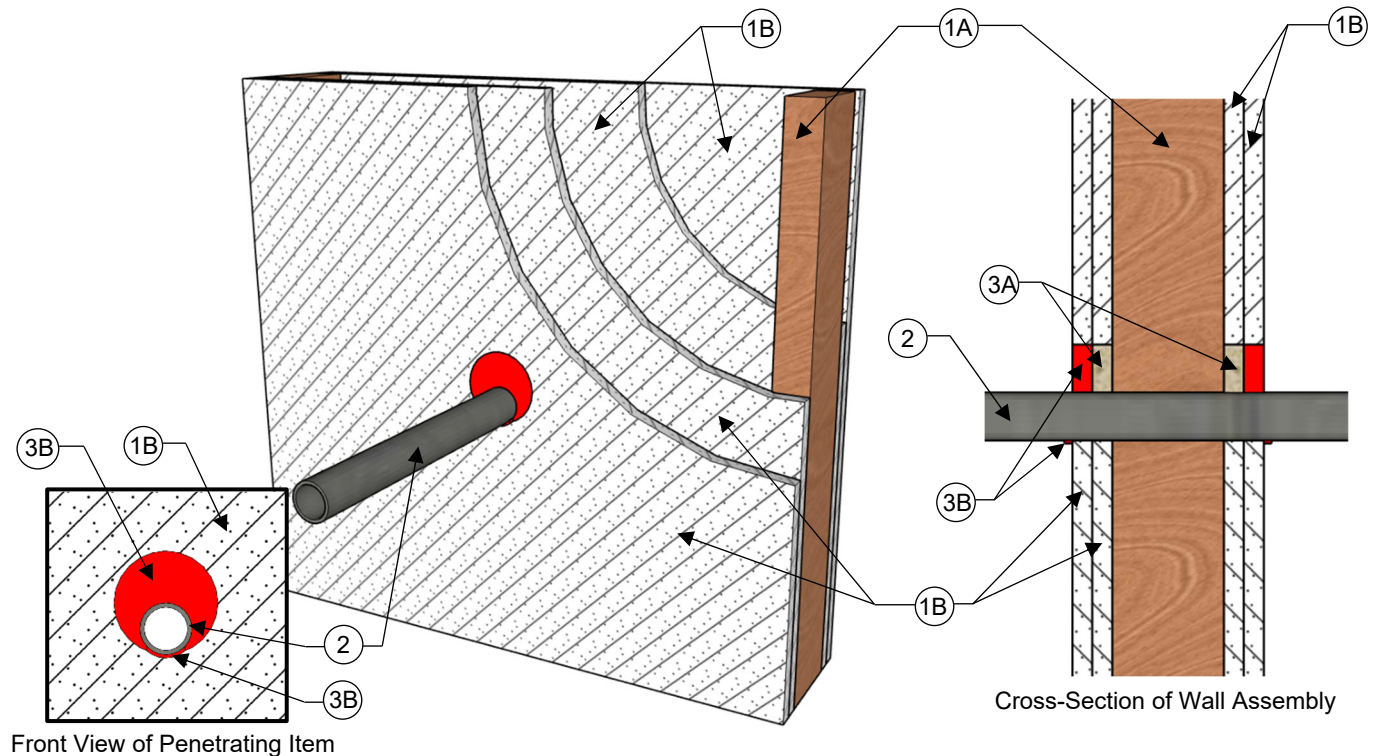


FIGURE 1 – DESIGN NO. TMP-1542-03

Listings are not to be construed as representing aesthetics or any other attributes not specifically addressed, nor are they to be construed as an endorsement of the subject of the listing or a recommendation for its use. There is no warranty by ICC Evaluation Service, LLC, express or implied, as to any finding or other matter in this listing, or as to any product covered by the listing.

TABLE 3 – DESIGN NO. TMP-1542-03 COMPONENTS OF CONSTRUCTION

ITEM NO.	COMPONENTS	MATERIALS
1	<p>Wall Assembly—</p> <p>Use A and B</p>	<p>The 1- or 2-hr fire-resistance rated wall assembly must incorporate construction features A and B. Construction feature B will depend on the fire-resistance rating of the wall assembly.</p> <p>A — Wall Framing – Either nominal 2-inch by 4-inch (50.8 mm by 101.6 mm) wood studs or nominal 3¹/₂-inch (88.9 mm) deep, minimum No. 20 gage [0.036-inch (0.91 mm)], corrosion-protected or galvanized steel channel-shaped studs, spaced maximum 24-inches (609.6 mm) on center. Steel studs must have minimum 1⁵/₈-inch (41.3 mm) flanges and 1/2-inch (12.7 mm) return.</p> <p>B — Wall Sheathing – For a 2-hr fire-resistance rated wall assembly, two (2) layers of 5/8-inch (15.9 mm) thick Type X gypsum wallboard, complying with ASTM C1396, must be installed on each side of the wall framing. For a 1-hr fire-resistance rated wall assembly, one (1) layer of 5/8-inch (15.9 mm) thick Type X gypsum wallboard, complying with ASTM C1396, must be installed on each side of the wall framing.</p> <p>Maximum diameter of through-opening is 3-inch (76.2 mm).</p>
2	<p>Penetrating Item (Flexible Metal Conduit)—</p>	<p>1/2-inch (38.1 mm) diameter (or smaller) steel pipe. The annular space within the firestop system must be a minimum of 0 inch (point contact) to a maximum of 1¹/₈-inch (28.6 mm).</p>
3	<p>Firestop System—</p> <p>Use A and either B1 or B2</p>	<p>The firestop system must incorporate construction features A and B.</p> <p>A — Packing Material – Foam backer rod firmly packed into the opening as a permanent form. The packing material must be recessed from both surfaces of the wall as required to accommodate the required thickness of fill material.</p> <p>The fill, void or cavity material (sealant) may be either B1 or B2.</p> <p>B1 — E-Z Flame Fighter Fire Caulk – minimum 1/2-inch (12.7 mm) thickness of E-Z Flame Fighter Fire Caulk must be applied within the annulus, flush with both surfaces of the wall assembly. At the point of contact between the wall and the flexible metal conduit, a minimum 1/4-inch (6.4 mm) diameter bead of E-Z Flame Fighter Fire Caulk must be applied to the wall/conduit interface on both surfaces of the wall.</p> <p>B2 — JACO Firestop Caulk – minimum 1/2-inch (12.7 mm) thickness of JACO Firestop Caulk must be applied within the annulus, flush with both surfaces of the wall assembly. At the point of contact between the wall and the flexible metal conduit, a minimum 1/4-inch (6.4 mm) diameter bead of JACO Firestop Caulk must be applied to the wall/conduit interface on both surfaces of the wall.</p>

For SI: 1 inch = 25.4 mm, 1 foot = 304.8 mm, 1 lbs./ft³ = 16.01 kg/m³.