

EZT/FC 60-07
Joint Tape
All Products, LLC., d.b.a. E-Z Taping Systems®
Fire Tape®
ASTM E119, UL 263, NFPA 251, CAN/ULC S101
Fire Resistance Rating – 1 hour

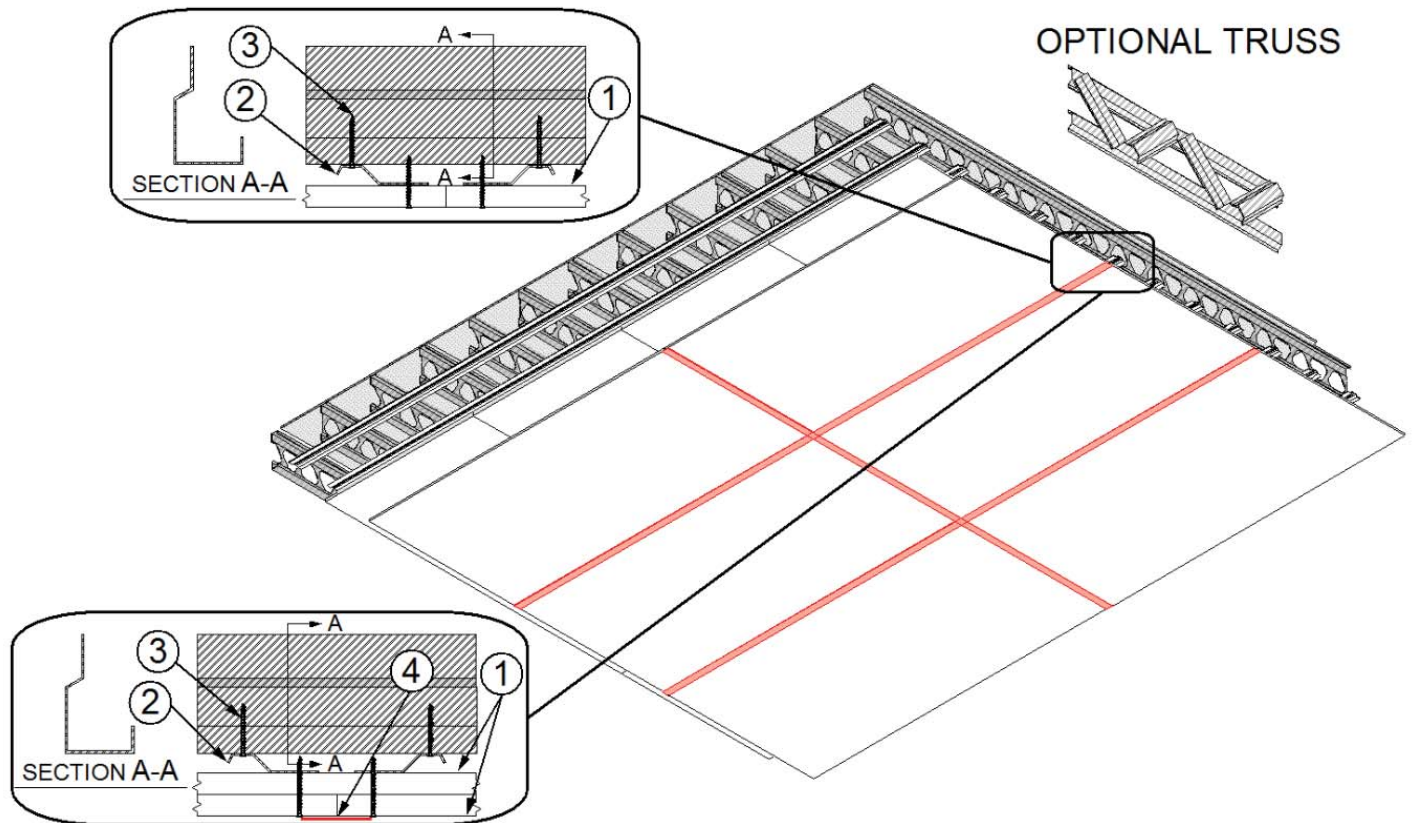


Figure 1 – Floor/Ceiling Assembly & Details

1. GYPSUM BOARD – Select any 1 hour, fire-resistance rated, loadbearing, floor-ceiling assembly comprised of steel framing with a gypsum board ceiling supported by resilient steel framing (Item 2). under Intertek's Design Category FC-60, *Floor-Ceiling Assembly*, or under UL's Category BXUV and ULC's Category BXUVC, *Floor-Ceilings: Steel Joists and Trusses*, Design Numbers 500-599 under Designation L: or under the Gypsum Association's GA-600, *Fire Resistance Design Manual* under GA File

Numbers 1800-3099 under Designation FC, *Noncombustible Floor-Ceiling Systems*. Gypsum board panel's nominal thickness shall be as specified in the specific Intertek or UL Design Number selected. Gypsum board panels shall comply with ASTM C1396/C1396M, *Standard Specification for Gypsum Board*, and be Listed and Labeled under a recognized third-party Listing and Follow-up Program. Gypsum board panels shall be installed in accordance with ASTM C840, *Standard Specification for Application*

and Finishing of Gypsum Board, and GA-216 Application and Finishing of Gypsum Panel Products. All gypsum board panels shall be kept dry. All gypsum board panels shall be installed without flexing or sagging and shall have clean sharp edges, ends, and surfaces. The room temperature shall be maintained at a min. temperature of 40°F (4.4°C) for the mechanical application of gypsum board panels. All joints of gypsum board panels shall be tightly abutted and centered over steel ceiling framing (Item 2).

2. **RESILIENT STEEL FRAMING** – Use resilient steel framing as specified in the specific Design Number compliant with Item 1 for size and gauge as well as attachments and length in relationship to distance between perimeter wall steel ceiling framing (not shown). Ceiling cavity can be either empty or filled with insulation as specified in the specific Design Number compliant with Item 1.
3. **FASTENERS** – Spacing pattern, length, and diameter of fasteners shall be as specified in the specific Design Number compliant with Item 1. Use Type S screws for attaching gypsum board panels (Item 1) to light gauge steel ceiling framing (Item 2) and screws shall comply with ASTM C 1002, *Standard Specification for Steel Self-Piercing Tapping Screws for Application of Gypsum Panel Products or Metal Plaster Bases to Wood Studs or Steel Studs.*
4. **CERTIFIED MANUFACTURER: E-Z Taping Systems®**
CERTIFIED PRODUCT: Joint Tape
CERTIFIED MODEL: Fire Tape®
JOINT TAPE – Use patented, multi-layer, fiberglass reinforced, Fire Tape® with pressure sensitive adhesive tested to requirements for joint tape under ASTM C474, *Standard Test Methods for Joint Treatment Materials for Gypsum Board Construction*, complying with requirements for joint tape under ASTM C475, *Standard Specification for Joint Compound and Joint Tape for Finishing Gypsum Board.*

- A. Fire Tape® is typically used as a Level 1 Finish as described in GA-216, *Recommended Specifications for the Application and Finishing of Gypsum Panel Products*, (ASTM C840, *Standard Specification for Application and Finishing of Gypsum Board*) because is not required to be set in or covered by joint compound. Level 1 Finish applications are typically used in unfinished parts of the building where aesthetics are not an issue, such as in plenum areas above ceilings, in attics, in areas where the assembly would generally be concealed or in building service corridors; and other areas not normally open to public view or such as in corridors, storage rooms, garages, parking structures, and other similar areas.
- B. The temperature of Fire Tape® shall be at least 55°F prior to application. Do not install Fire Tape® below 50°F (10°C). *Low Temperature Conditions* – In cold weather, heat shall be provided to maintain a temperature not below 50°F (10°C) for 48 hours prior to taping and finishing and maintained for not less than 48 hours thereafter.
- C. Center and apply Fire Tape® over the vertical and horizontal gypsum board panel (Item 1) butt joints covering the butt joint and fasteners (Item 4). The butt joints and angles of the gypsum board panels (Item 1) shall be clean, e.g. free of dust or powder, and completely dry prior to the application of Fire Tape®. The pressure sensitive adhesive shall be in complete contact with the adjacent gypsum board panel (Item 1) surfaces. Apply sufficient pressure to the Fire Tape® using the E-Z Tape 3 in. plastic knife to aggressively adhere the pressure

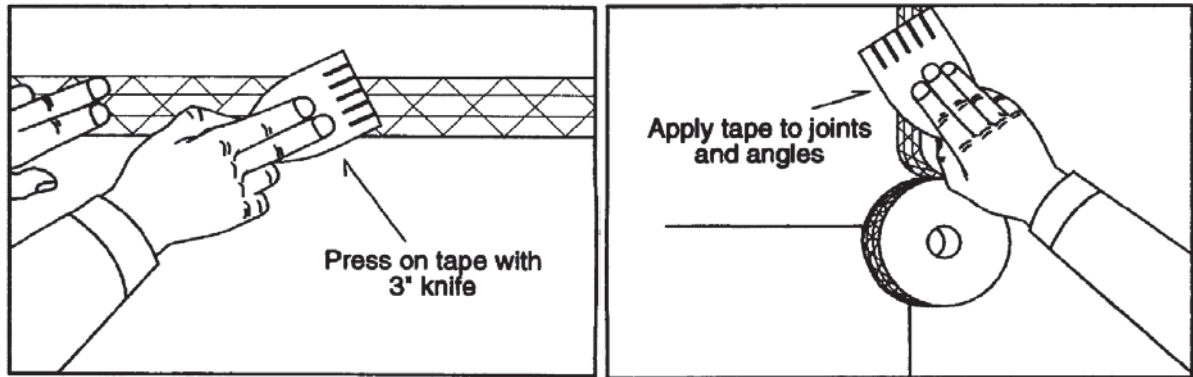


Figure 2 – Installation Methods

sensitive adhesive to the gypsum board panels' (Item 1) surfaces. Do not use your hand or any other tool because sufficient adhesion of the Fire Tape® to the gypsum board panels (Item 1) will not be achieved. Use a corner roller to adhere Fire Tape® to inside and outside gypsum board panel (Item 1) corners, e.g. angles.

- D. The exposed outer surface of the Fire Tape® is treated with silicone. Do not overlap Fire Tape® onto itself because it will not adhere to itself. At intersections of Fire Tape®, e.g. "L", "⊥" and "T", abut the leading edge of the Fire Tape® to the longitudinal edge of the Fire Tape® being intersected.
- E. Joint compound and paint will not adhere to Fire Tape® without the application of an oil based primer. When paint or a Level 2 or a Level 3 Finish using joint compound is desired, a compatible primer is required to promote adhesion to Fire Tape®. A *Rustoleum®* primer called *Zinsser® Bulls Eye® Odorless*¹ has been found suitable to coat over Fire Tape® to promote adhesion to Fire Tape®. After the primer is applied in accordance with the manufacturer's instructions and completely dry, joint compound or a

latex paint can be applied over Fire Tape®.

- F. Use only rolls of Fire Tape® bearing the Intertek Mark for the United States (US) and Canada (C).

¹ <http://www.rustoleum.com/product-catalog/consumer-brands/zinsser/primer-sealers/odorless-oil-base-stain-blocker/>